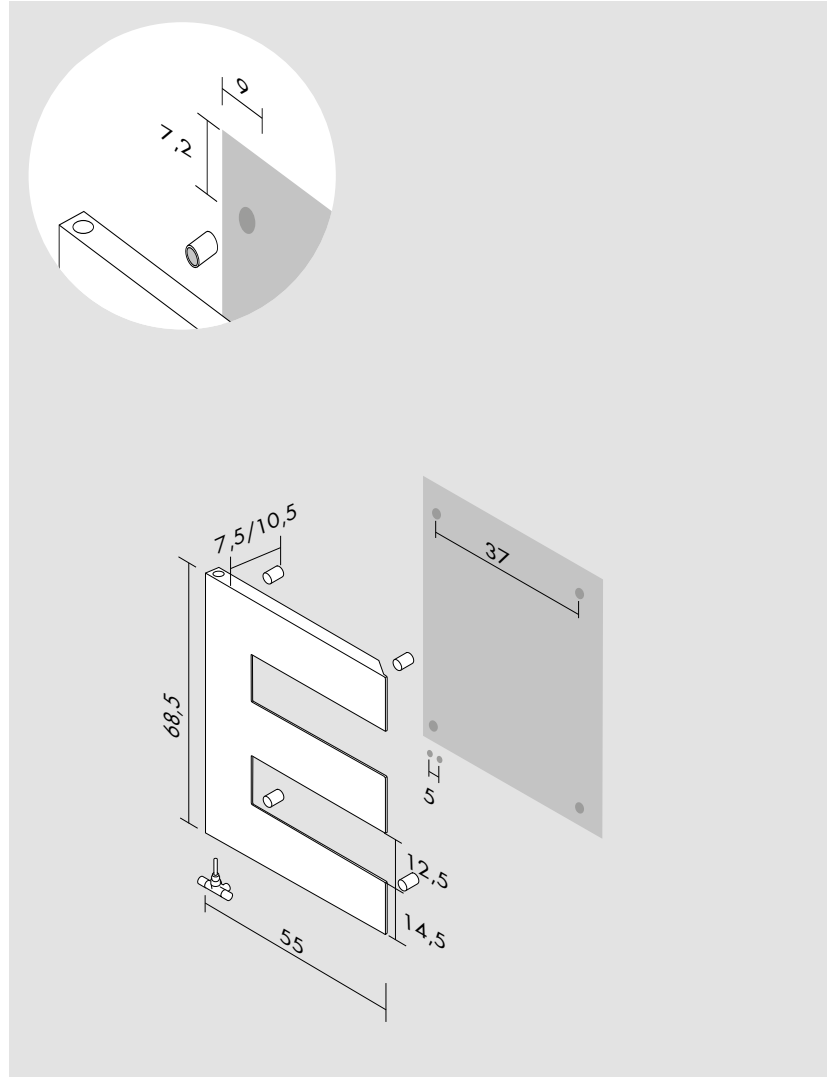


Kcal = Watt x 0.860
BTU = Watt x 3.413

Watt Δt 60° = Watt Δt 50° x 1.260
Watt Δt 40° = Watt Δt 50° x 0.754
Watt Δt 30° = Watt Δt 50° x 0.523
Watt Δt 20° = Watt Δt 50° x 0.313

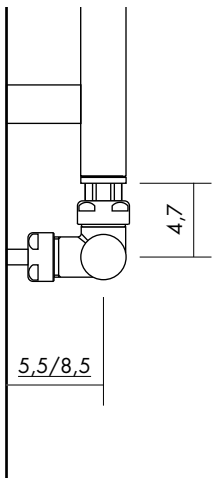
p max = 8.0 bar



Reversible radiator
Radiateur réversible
Reversibler Heizkörper
Radiador reversible

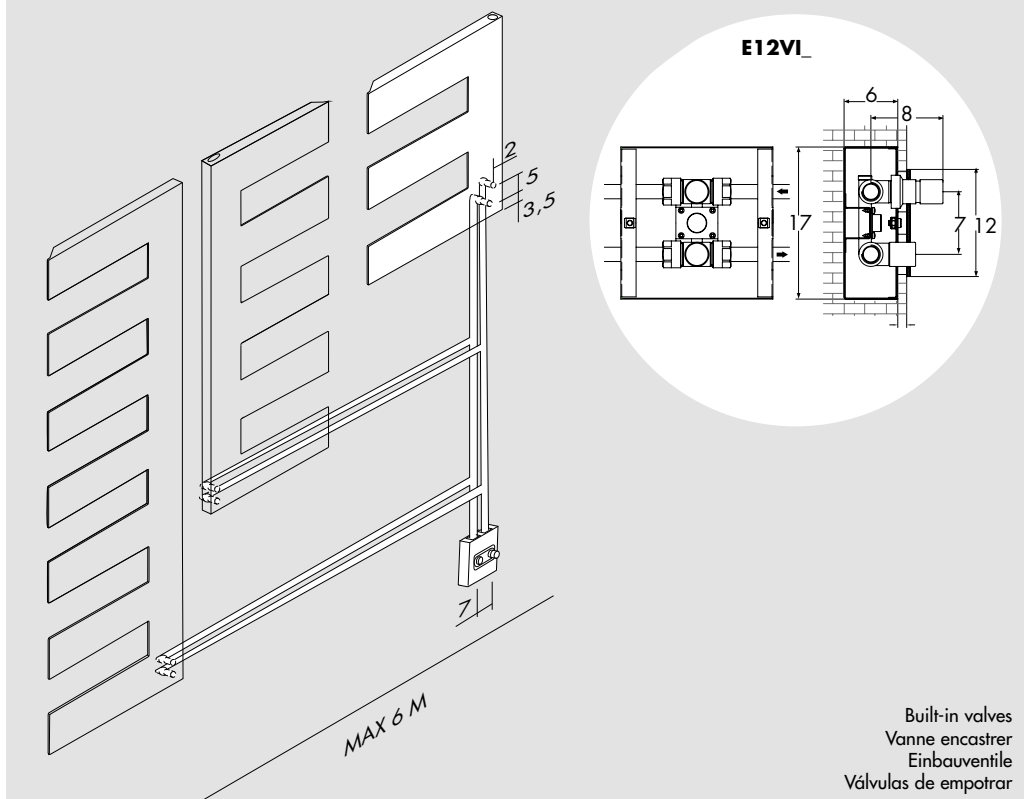
[F]

Standard connection / Raccord standard
Standard Anschluss / Conexión estándar

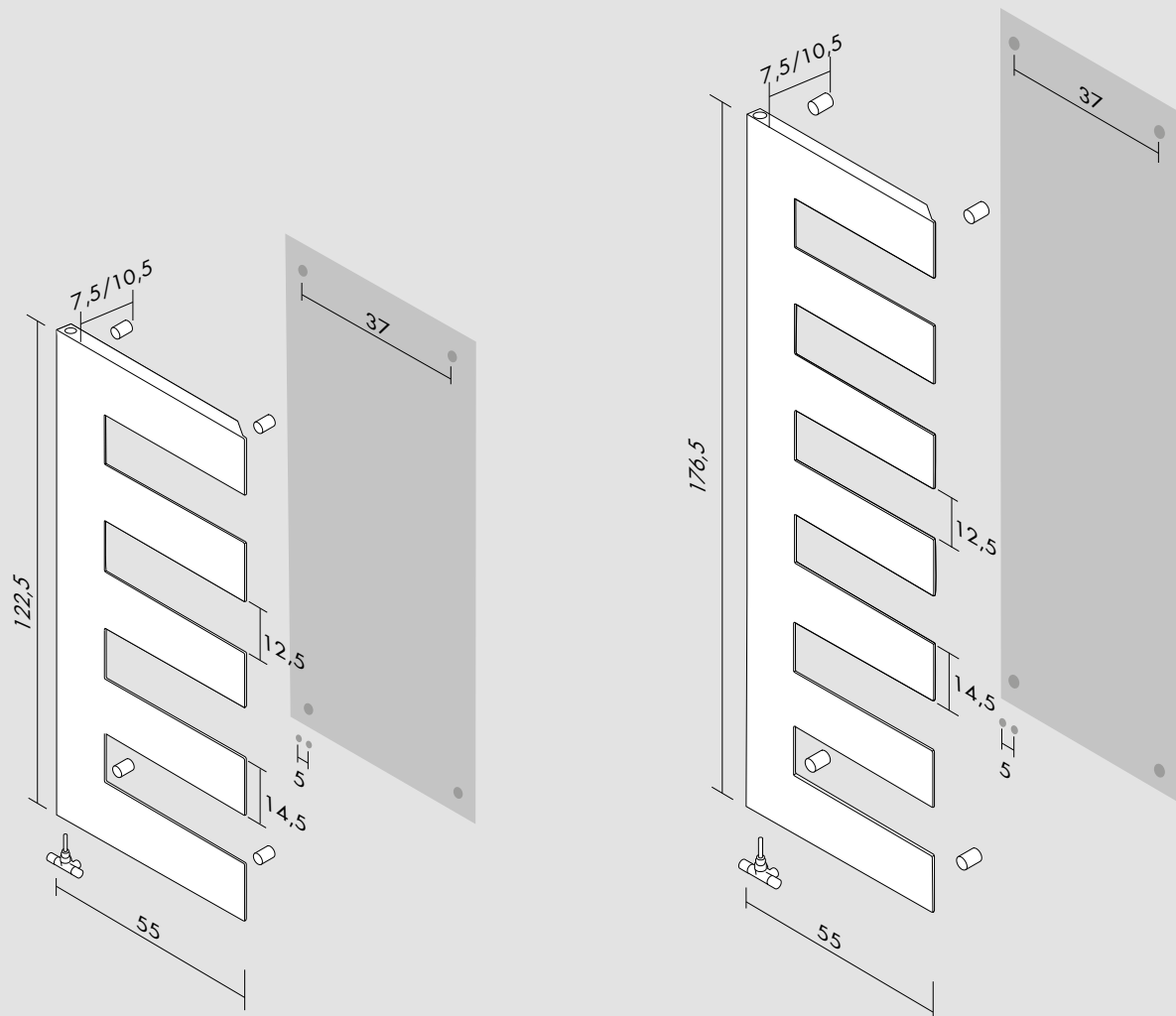


[H]

Special connection / Raccord spéciale / Speziell Anschluss / Conexión especial



Built-in valves
Vanne encastrer
Einbauventile
Válvulas de empustrar



Pettine

H cm	L cm	I* cm	art*	Lt*	watt Δt 30°	watt Δt 50°
68.5	55.0	5.0	PTNA068055	1.0	147	282
122.5	55.0	5.0	PTNA122055	1.9	248	474
176.5	55.0	5.0	PTNA176055	2.8	338	647

Optional



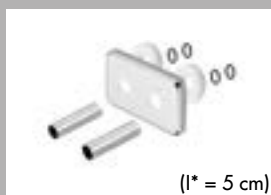
Angled monotube valve
 Vanne monotube équerre
 Einrohrige Ventil
 Válvula monotubo a escuadra

[BIAN] **E12MBSQB**
 [CROM] **E12MBSQR**



Thermostatic head
 Tête thermostatique
 Thermostatkopf
 Cabezal termostático

[BIAN] **TTB**
 [CROM] **TTR**



Sleeving kit
 Kit couvre tuyau
 Rosetten
 Kit cubre tubo

[BIAN] **C5B**
 [CROM] **C5R**



Built-in valves
 Vanne à encaisse
 Einbauventile
 Válvulas de empotrar

[BIAN] **E12VIB**
 [CROM] **E12VIR**