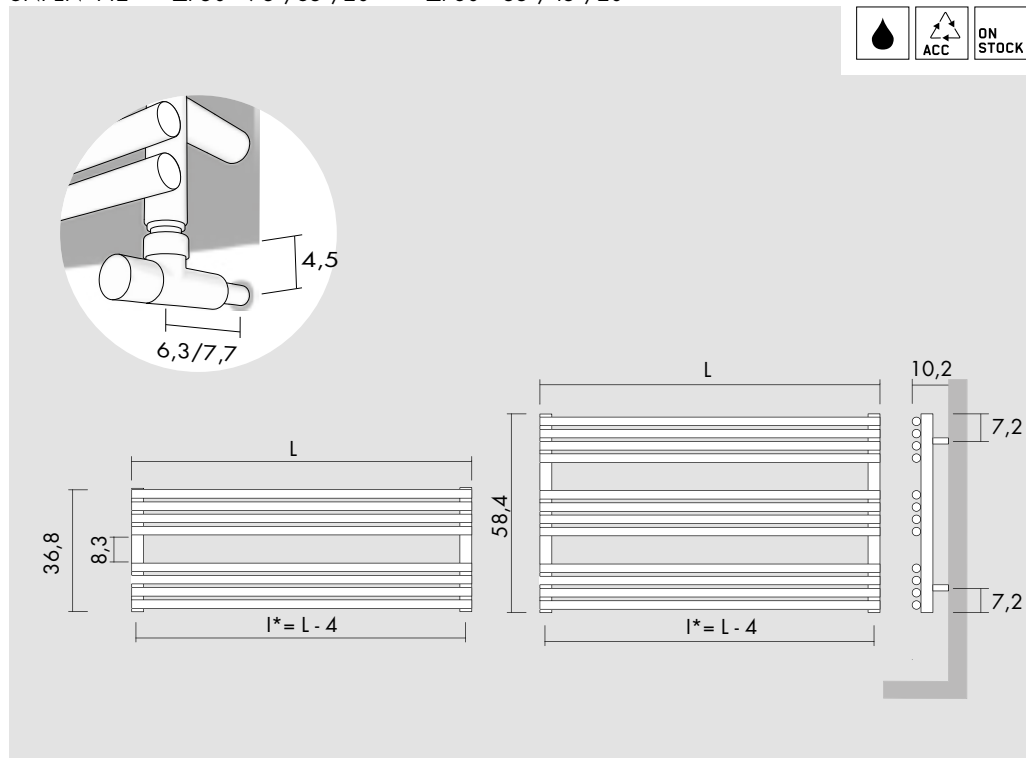


Kcal = Watt x 0.860 BTU = Watt x 3.413

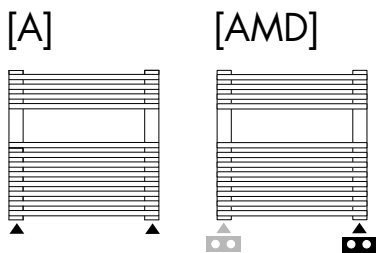
Watt Δt 60° = Watt Δt 50° x 1.238  
 Watt Δt 40° = Watt Δt 50° x 0.770  
 Watt Δt 30° = Watt Δt 50° x 0.550  
 Watt Δt 20° = Watt Δt 50° x 0.342

p max = 10.0 bar

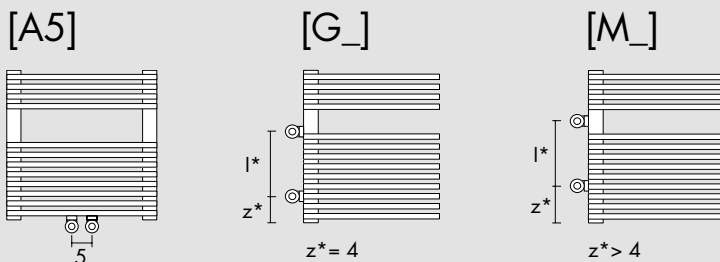


H cm	L cm	I* cm	art*	[B] STOCK	Lt*	watt Δt 30°	watt Δt 50°
36.8	120.0	116.0	<b>BD25S120036_</b>	STOCK	4.4	263	<b>479</b>
36.8	140.0	136.0	<b>BD25S140036_</b>	STOCK	5.0	307	<b>559</b>
36.8	160.0	156.0	<b>BD25S160036_</b>	STOCK	5.7	351	<b>639</b>
58.4	120.0	116.0	<b>BD25S120058_</b>	STOCK	6.7	395	<b>719</b>
58.4	140.0	136.0	<b>BD25S140058_</b>	STOCK	7.6	461	<b>838</b>
58.4	160.0	156.0	<b>BD25S160058_</b>	STOCK	8.6	527	<b>958</b>

Standard connection / Raccord standard  
 Standard Anschluss / Conexión estándar



Special connection / Raccord spéciale / Speziell Anschluss / Conexión especial



Replace \_ with connection S (Left) or D (Right). / Remplacer le \_ avec raccordement S (Gauche) ou D (Droite). /  
 Um linker oder rechter Anschluss zu bestellen, bitte das Symbol \_ mit S (links) oder D (rechts) ersetzen. /  
 Sustituir el \_ con las conexiones S (Izquierda) o D (Derecha).

Optional



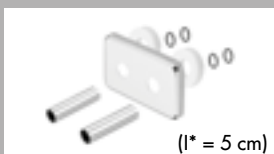
Angled Valve  
 Vanne équerre  
 Eckausführung Ventil  
 Válvula a escuadra

[BIAN] **E12SQB**  
 [CROM] **E12SQR**



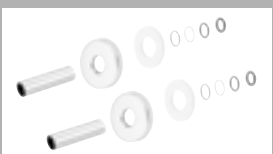
Thermostatic head  
 Tête thermostatique  
 Thermostatkopf  
 Cabezal termostático

[BIAN] **TTB**  
 [CROM] **TTR**



Sleeving kit  
 Kit couvre tuyau  
 Rosetten  
 Kit cubre tubo

[BIAN] **C5B**  
 [CROM] **C5R**



Towel hooks  
 Paire de patère  
 Crochet das Bugel  
 Percha  
 [CROM] **BA25R**  
 [COLOUR] **BA25C**  
 [GOLD] **BA25G**

art\* = item / modèle / Artikel / artículo I\* = pipe centres / distance entre depart et retour / Achsabstand / distancia entre las conexiones  
 Lt\* = water content / volume d'eau / Wassergehalt / contenido de agua  
 P\* = page / page / Seite / página